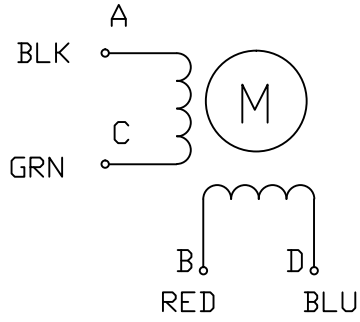


specifications:

MODEL	PHASE	STEP ANGLE	RATED VOLTAGE	CURRENT /PHASE	RESISTANCE /PHASE	INDUCTANCE /PHASE	HOLDING TORQUE	DETENT TORQUE	ROTOR INERTIA	WEIGHT
		DEG/STEP	V	A	ohms	mH	kg.cm	g.cm	g.cm ²	Kg
	2	1.8	12V	0.4	30	43	2.1	120	20	0.18

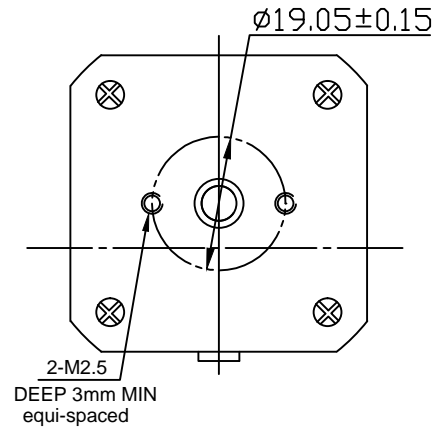
Wiring Diagram:



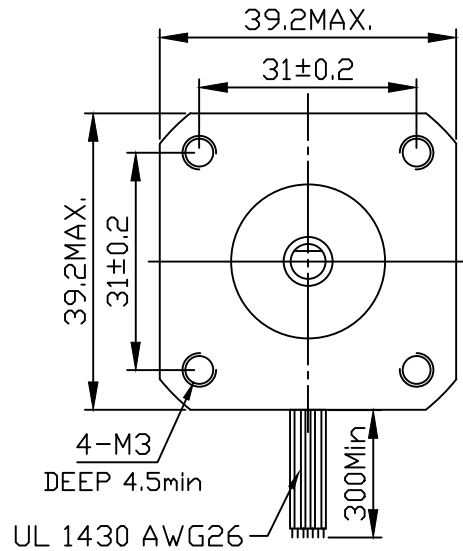
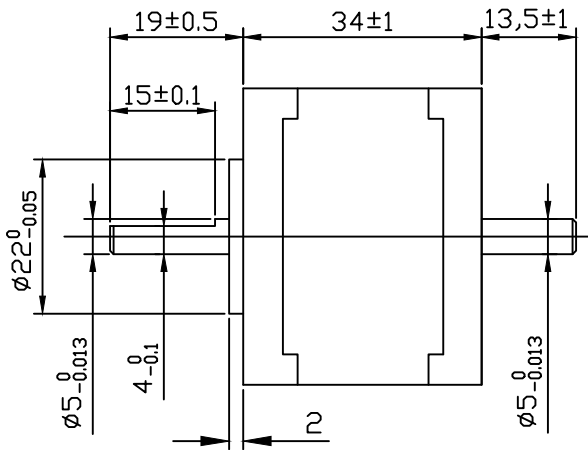
CW DIRECTION	STEP	A	C	B	D
↓	1	+		+	
	2		+	+	
	3		+		+
	4	+			+
	1	+		+	

CW see from the flange side

REAR END CAP



Dimension:



					DESIGN	DATE	P/N.	3.1.01.039.0140			
REV	ECN NO.	DESCRIPTION	DRN	APP'D	DATE	13.11.23	TITLE	Specifications			
UNLESS OTHERWISE SPECIFIED TOLERANCES: DECIMALS: ANGULAR: .x ±0.5 ±0°30' .xx ±0.25 .xxx ±0.1 UNIT: mm DO NOT SCALE DRAWING			MATERIAL	CONTR.	CHECK	USED ON	FL39ST34-0404B-EN				
					APPD	DWG NO.	REV				
			FIRST ANGLE PROJECTION			SCALE	SHEET OF		FULLING MOTOR		