

AHB7804R-MH-V5



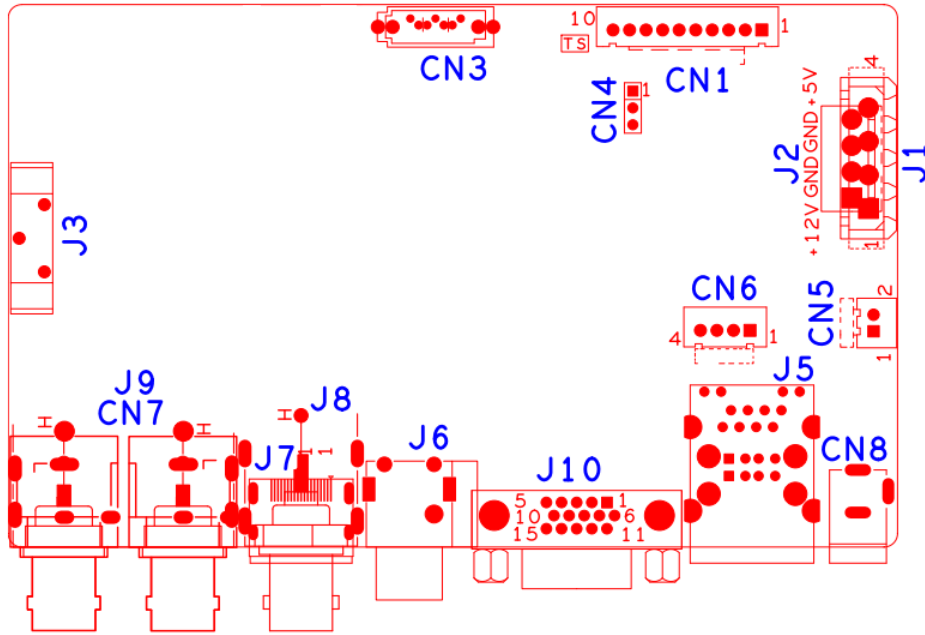
Feature:

- Support H.265X encoding, compatible with H.264 surroundings;
- Support VGA, HDMI full HD output simultaneously;
- Support ONVIF; access third party;
- Support multiple cloud technology, network penetration, alarm information pushed to your phone and other functions;
- Support web, CMS, center platform management software MYEYE, provide SDK development;
- Support various mobile monitoring (iPhone, Android);
- Remote Access, With DNS (ARSP),easy to monitor remotely
- Support UTC, control signal& video stream transmit through one single coaxial
- Support XVI/AHD/TVI/CVI/CVBS/IP six signals;

Specification:

	Model	AHB7804R-MH-V5
System	Main processor	Hi3522D0V300
Interface	Preview	1/4/8/9
Video	Codec	H.265X (H.264)
	Monitor quality	VGA(1080P at most);HDMI(1080P at most)
	Preview ability	4*5M-N@20fps (6 in 1) ;4*4M-N (6 in 1) ;4*1080P (6 in 1)
	Encode ability	4*5M-N@12fps (6 in 1) ;4*4M-N@15fps (6 in 1) ;4*1080P@15fps (6 in 1)
	Decode ability	2*5M-N@12fps (6 in 1) ;4*4M-N@15fps (6 in 1) ;4*1080P@15fps (6 in 1)
	Multi-mode input	Analog: 4*5M-N; 4*1080P hybrid: 2*1080P (analog) +2*1080P (network) 4*1080N (analog) +4*960P (network) network: 16*1080P; 9*1080P; 16*960P; 4*5M;
	Motion Detection	Each screen can be set to 192 (16 * 12) detection areas; multi-level sensitivity can be set (Limited local channel)
Audio	Audio compression	G.711A
	Intercom	support
Record & playback	Record mode	manual>alarm>motion detection>timing
	Local Playback	4/2ch(analog input mode)
	Search mode	Search by time, calendar, event, channel
Storage & backup	Video storage	HDD, network
	Backup mode	Network, USB hard disk, USB burner, SATA burner
External Interface	Video input	4ch BNC
	Video output	1ch VGA, 1ch HDMI
	Loop Vout	N/A
	Audio I/O	1/1
	Alarm I/O	0/0
	Network interface	RJ45 10M/100M self-adaption
	PTZ control	Support kinds of PTZ protocols
	USB	2* USB 2.0 ports
	HDD	1*SATA ports (Max 8TB/per)
	Wireless	3G, WIFI (extend via USB)
General	Power supply	12V/4A

Power Consumption	<15W (without HDD)
Working environment	Temperature:0℃—+55℃ , Humidity:10%—90%, Atm:86kpa—106kpa
Dimension	135mm*82mm
Weight	125g



Socket	Function	Interface Description			
CN3	SATA				
CN4	RS232				
CN1	10Pin Without the MCU front panel expansion carrier	1:+3.3	2:GND	3:IR	4:COL2
		5:COL1	6:ROW2	7:COL3	8:ROW1
		9:ALARM	10:REC		
J1/J2	Hard disk power carrier	1:+12	2:GND	3:GND	4:+5
CN5	Fan power carrier	1: +12	2: GND		
CN6	Front panel USB extension carrier	1:+5	2:USB2_DM	3:USB2_DP	4:GND
CN8	12V Input				
J5	2USB+RJ45				
J10	VGA				
J6	Audio RCA combo interface	Up: AUDIO1	Down: AUDIO_OUT_MAIN		
J7	HDMI				
J8	CVBS				
J9/CN7	4ch BNC Input	Top left:VIDE04	Bottom left:VIDE03	Bottom right:VIDE02	Top right:VIDE01
J3	Battery holder				
		5: AUDIO1	6: AUDIO_OUT_MAIN		