

PROPRIETARY NOTE

THIS SPECIFICATION IS THE PROPERTY OF BOE HF AND SHALL NOT BE REPRODUCED OR COPIED WITHOUT THE WRITTEN PERMISSION OF BOE HF AND MUST BE RETURNED TO BOE HF UPON ITS REQUEST



SPEC. NUMBER S8-*	PRODUCT GROUP TFT- LCD	REV. P0	ISSUE DATE 2020-04-30	PAGE 1 OF 34
----------------------	---------------------------	------------	--------------------------	-----------------

B3 EV101WXM-N10 Product Specification Rev.P0

BUYER	
SUPPLIER	HEFEI BOE Optoelectronics Technology CO., LTD
FG-Code	EV101WXM-N10-3850

ITEM	BUYER SIGNATURE	DATE
_____	_____	_____
_____	_____	_____
_____	_____	_____

ITEM	SUPPLIER SIGNATURE	DATE
Prepared	_____	_____
Reviewed	_____	_____
Approved	_____	_____

PRODUCT GROUP	REV	ISSUE DATE	BOE
TFT- LCD PRODUCT	P0	2020-04-30	

SPEC. NUMBER S8-*	SPEC . TITLE B3 EV101WXM-N10 Product Specification	PAGE 2 OF 34
----------------------	---	-----------------

REVISION HISTORY

() preliminary specification

() Final specification

REV.	ECN No.	DESCRIPTION OF CHANGES	DATE	PREPARED
P0		Initial Release	2019-04-30	张晓磊

--	--	--	--	--

PRODUCT GROUP

REV

ISSUE DATE



TFT- LCD PRODUCT

P0

2020-04-30

SPEC. NUMBER

SPEC. TITLE

PAGE

S8-*

B3 EV101WXM-N10 Product Specification

3 OF 34

Contents

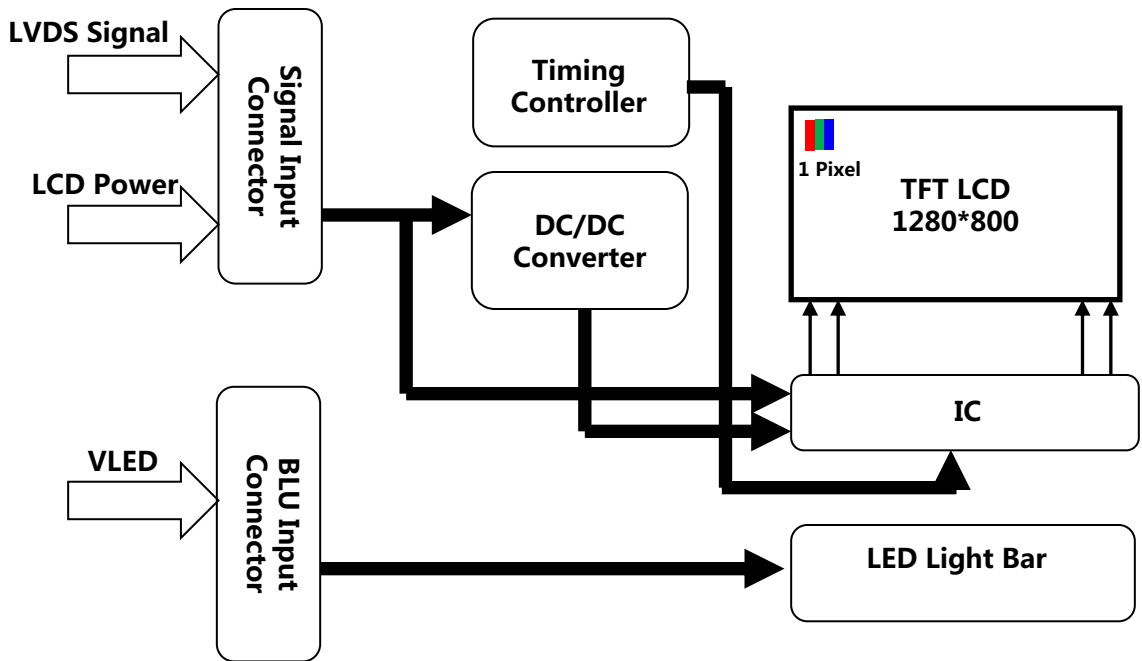
No.	Items	Page
1.0	General Description	4
2.0	Absolute Maximum Ratings	6
3.0	Electrical Specifications	7
4.0	Optical Specifications	18
5.0	Reliability Test	23
6.0	Packing Information	24
7.0	Product Label	26
8.0	Handling & Cautions	27
9.0	Appendix	33

PRODUCT GROUP		REV	ISSUE DATE	BOE
TFT- LCD PRODUCT		P0	2020-04-30	
SPEC. NUMBER	SPEC. TITLE			PAGE
S8-*	B3 EV101WXM-N10 Product Specification			4 OF 34

1.0 GENERAL DESCRIPTION

1.1 Introduction

EV101WXM-N10 is a color active matrix TFT LCD module using amorphous silicon TFT 's (Thin Film Transistors) as an active switching devices. This module has a 10.1 inch diagonally measured active area with WXGA resolutions (1280 horizontal by 800 vertical pixel array). Each pixel is divided into RED, GREEN, BLUE dots which are arranged in vertical stripe and this module can display 16.2M colors.



1.2 Features

- 1 Port LVDS Interface Input;
- 6+2bit color depth, display 16.2M colors
- Thin and light weight
- High luminance and contrast ratio, low reflection and wide viewing angle
- RoHS compliant

1.3 Application

- HMI (Human Machine Interface)

1.4 General Specification

The followings are general specifications at the EV101WXM-N10

<Table 1. LCD Module Specifications>

Parameter	Specification	Unit	Remarks
Active Area	216.96(H)*135.6(V)	mm	
Number Of Pixels	1280(H)×800(V)	pixels	
Pixel Pitch	56.5(H) × RGB × 169.5(V)	mm	
Pixel Arrangement	Pixels RGB stripe arrangement		
Display Mode	ADS		
Display Colors	16.2M	colors	6+FRC
Surface Treatment	Normal		
Contrast Ratio	Typ. 900:1 , Min. 700:1		
Viewing Angle(CR>10)	Typ. 85/85/85/85	deg.	
Response Time	30(Typ.); 35(Max.)	ms	
Color Gamut	50%Typ.		
Brightness	Typ. 400, Min. 350	cd/m2	
Brightness Uniformity	Typ. 80% Min. 75% @9P		
Power Consumption	Max.4.2	watt	
Outline Dimension	228.6(H) x 149.2(V)	mm	
Weight	TBD	gram	
Display Orientation	Landscape Only		

PRODUCT GROUP		REV	ISSUE DATE	BOE
TFT- LCD PRODUCT		P0	2020-04-30	
SPEC. NUMBER	SPEC. TITLE			PAGE
S8-*	B3 EV101WXM-N10 Product Specification			6 OF 34

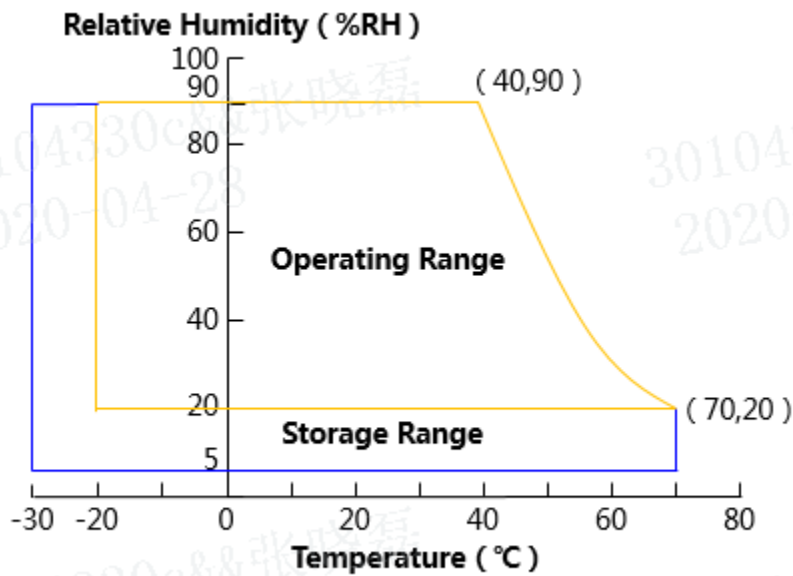
2.0 ABSOLUTE MAXIMUM RATINGS

The followings are maximum values which, if exceed, may cause faulty operation or damage to the unit. The operational and non-operational maximum voltage and current values are listed in Table 2.

< Table 2. Absolute Maximum Ratings >

Parameter		Symbol	Min.	Max.	Unit	Remarks
Power Supply	LCD Module	VDD	VSS-0.3	4.0	V	Ta = 25 °C
	BLU	VLED	VSS-0.3	13.2	V	
		PWM	VSS-0.3	6	V	
		BRTC	VSS-0.3	6	V	
Operating Temperature		T _{OP}	-20	+70	°C	Note 1
Storage Temperature		T _{ST}	-30	+70	°C	

Note : 1) Temperature and relative humidity range are shown in the figure below. Wet bulb temperature should be 39 °C max. and no condensation of water.



3.0 ELECTRICAL SPECIFICATIONS

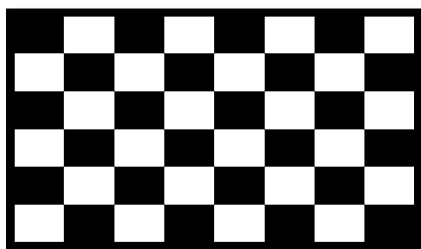
3.1 TFT LCD Module

[Ta =25±2 °C]

< Table 3. LCD Module Electrical specifications >

Parameter	Symbol	Values			Unit	Notes
		Min.	Typ.	Max.		
Power Supply Voltage	VCC	3.0	3.3	3.6	V	Signal
Power Supply Current	I _{VCC}	-	250	330	mA	Note 1
Power Consumption	P _{LCD}	-	0.80	1.10	W	

- Notes : 1. The supply voltage is measured and specified at the interface connector of LCM.
 The current draw and power consumption specified is for VBAT=3.8V, Frame rate f_v=60Hz and Clock frequency = 156.8MHz. Test Pattern of power supply current
- a) Typ : Mosaic 8 x 6 Pattern(L0/L255) b) Max : L255



3.2 Back-Light Unit**Table 4. LED Bar Electrical Specifications >**

[Ta =25±2 °C]

Parameter	Symbol	Values			Unit	Notes	
		Min.	Typ.	Max.			
BLU Supply Voltage	VDD	11.5	12	12.5	V		
BLU Forward Current	I _{VDD}	-	220	280	mA		
Power Consumption	P _{LED}	-	-	3.1	W	Note 1	
BLU BRTC Level	BLU ON	3.0	3.3	3.6	V		
	BLU OFF	0		0.5	V		
PWMIN	Level	High Level	3.0	3.3	3.6	V	
		Low Level	0		0.5	V	
	Frequency	F _{PWM}	180	200	10K	Hz	
	Duty Ratio	D _{PWM}	5	-	100	%	
LED Life Time	TLED	30000	-	-	Hrs	Note 2/3	

Notes:

1. PLED = VDD × I_{VDD} (Without LED converter transfer efficiency)
2. The life time of LED, 30,000Hrs, is determined as the time at which luminance of the LED is 50% compared to that of initial value at the typical LED current on condition of continuous operating at 25 ± 2°C.
3. Only under the above operating conditions could the life time of LED be guaranteed.

3.3 INPUT TERMINAL PIN ASSIGNMENT

This LCD employs 1 interface connections, a 40 pin connector is used for the LCD module electronics interface and the backlight system.

3.3.1 Pin assignment for LCD module

Connector : **MSAK24025P40G** or equivalent

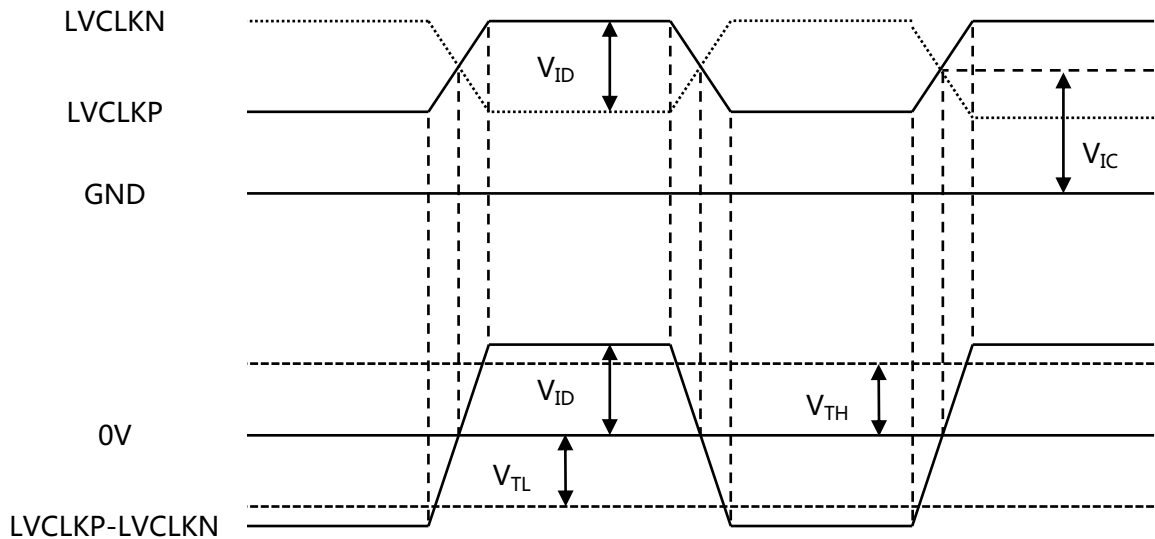
< Table5. Pin Assignment for LCD Module Connector >

Pin No.	Symbol	Description	Pin No.	Symbol	Description
1	NC	Non Connection	21	RIN3+	D3P
2	VDDIN	Power supply VDDIN=3.3V (Typ.)	22	NC	SCL
3	VDDIN		23	NC	SDA
4	VDDIN		24	NC	NC
5	NC	Non Connection	25	GND	GROUND
6	CLK EDID	CLK for EDID function use	26	NC	Non Connection
7	Data EDID	CLK for EDID function use	27	NC	Non Connection
8	RIN0-	D0N	28	GND	GROUND
9	RIN0+	D0P	29	NC	Non Connection
10	GND	GROUND	30	NC	Non Connection
11	RIN1-	D1N	31	LED_GND	LED GROUND
12	RIN1+	D1P	32	LED_GND	
13	GND	GROUND	33	LED_GND	
14	RIN2-	D2N	34	NC	WP
15	RIN2+	D2P	35	LED_PWM	PWM
16	GND	GROUND	36	LED_EN	LENEN
17	LVDS_CLK-	CLKN	37	NC	Non Connection
18	LVDS_CLK+	CLKP	38	VLED	VDD_LED
19	GND	GROUND	39	VLED	
20	RIN3-	D3N	40	VLED	

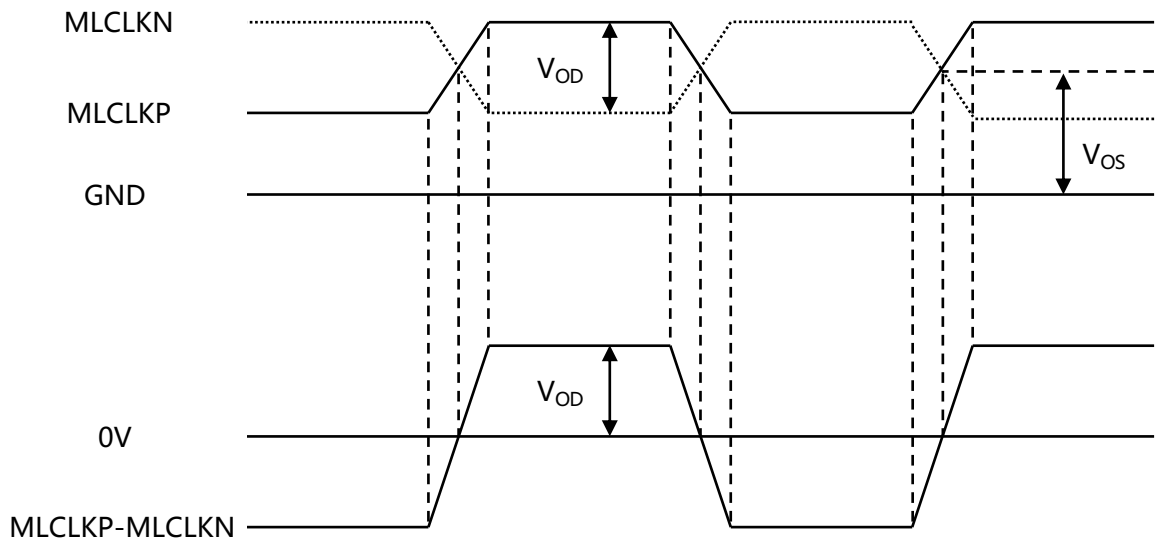
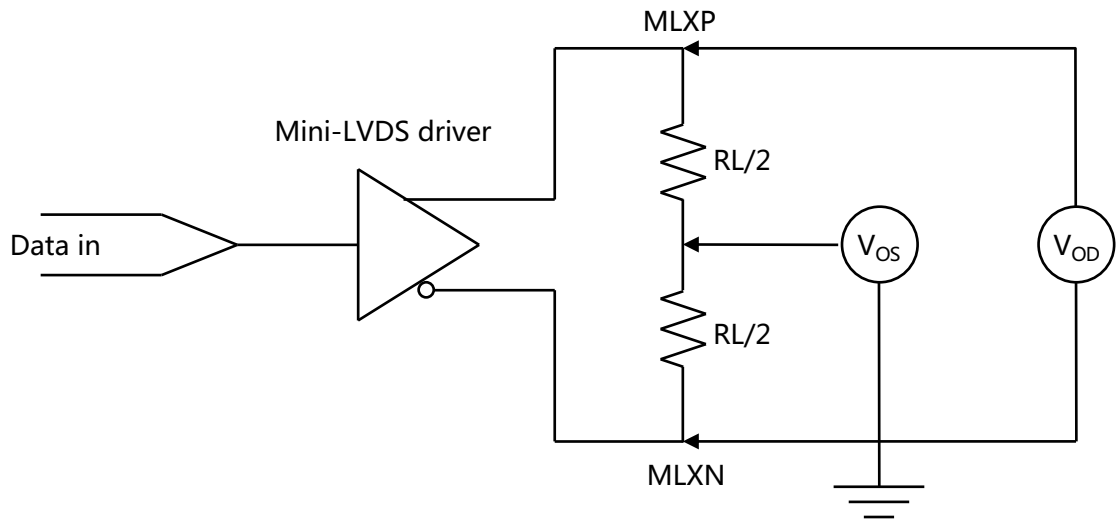
3.4 DC Specification

< Table7. DC Specification >

Parameter	Symbol	Min.	Typ.	Max.	Unit	Condition
Supply current	I_{DD}	-	100	-	mA	
LVDS DC specifications						
Differential input high threshold	V_{TH}	-	-	+100	mV	$V_{IC}=1.2V$
Differential input low threshold	V_{TL}	-100	-	-	mV	
LVDS common mode voltage	V_{IC}	0.9	-	1.4	V	
LVDS swing voltage	V_{ID}	± 100	-	± 600	mV	
Mini-LVDS DC specifications						
Output differential voltage range	V_{OD}	± 170	± 200	± 230	mV	PI=14K Ω RL=100 Ω ($T_A=25^\circ C$)
Output differential voltage deviation		0.64	-	0.96	mV	
Output offset voltage range	V_{OS}	1.1	1.2	1.3	V	
Output offset voltage deviation		1.1	1.2	1.3	V	

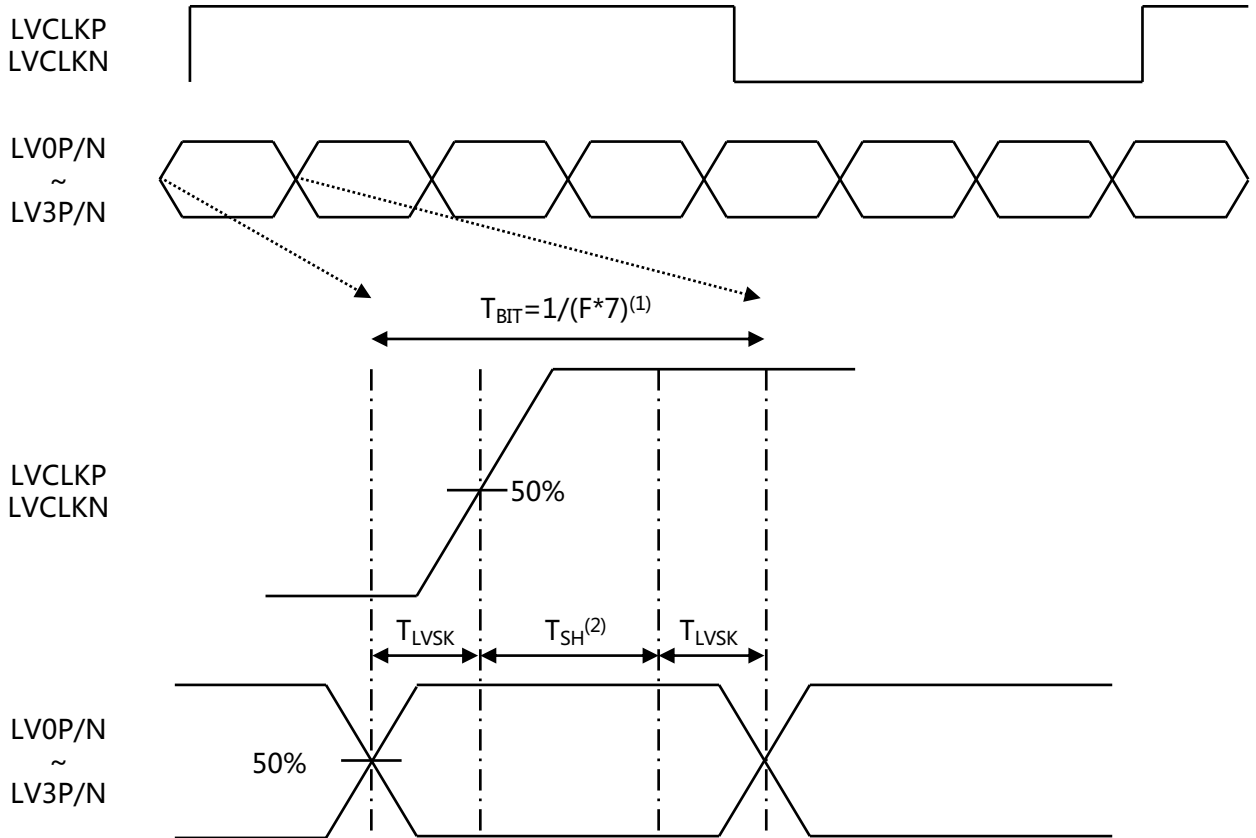


< LVDS V_{ID} and V_{IC} definition >



< Mini-LVDS V_{OD} and V_{OS} definition >

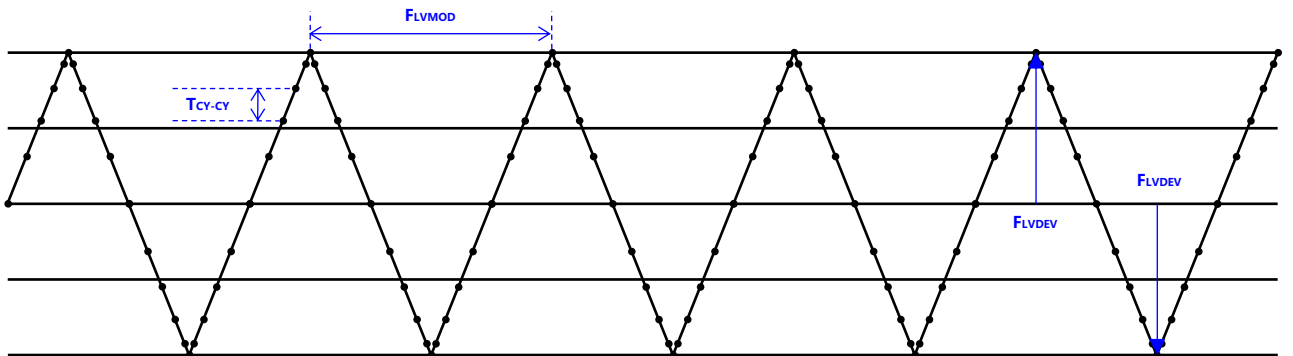
3.5 AC Specification



Note:

- (1) T_{BIT} : Data period
- (2) Internal CLK sampling data window

< LVDS channel to channel skew >



< LVDS input SSC >

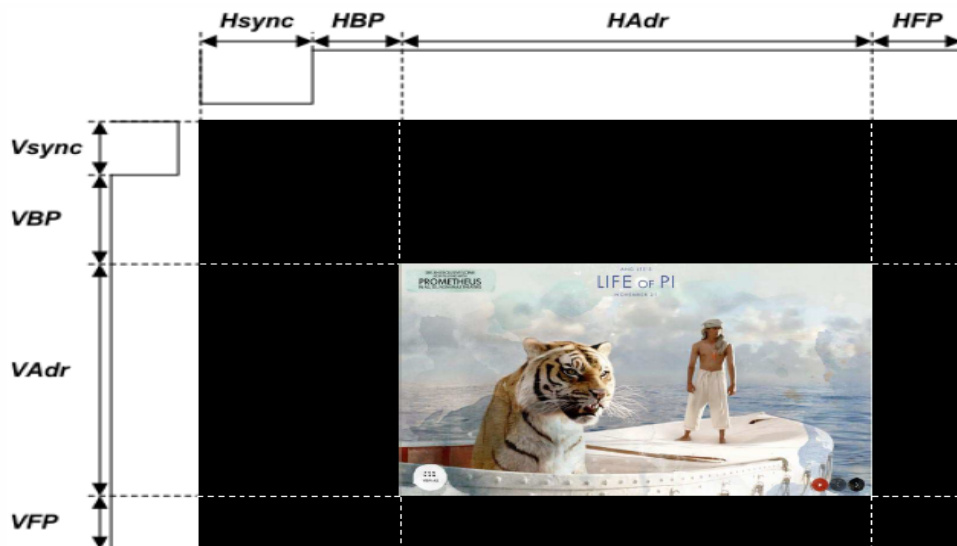
< Table 8. AC Specification >

Description	Symbol	Condition	Min.	Typ.	Max.	Unit
LVDS Input frequency	F	-	68	-	74	MHz
LVDS channel to channel skew	T_{LVSK}	F=65MHz $V_{IC}=1.2V$ $V_{ID}=\pm 200mV$	-600	-	+600	ps
Modulating frequency of input clock during SSC	F_{LVMOD}	F=85MHz $V_{IC}=1.2V$ $V_{ID}=\pm 200mV$	10	-	300	KHz
Maximum deviation of input clock frequency during SSC	F_{LVDEV}		-3	-	+3	%
Cycle to cycle jitter	T_{CY-CY}		-	-	200	ps

3.6 Interface timing Parameter

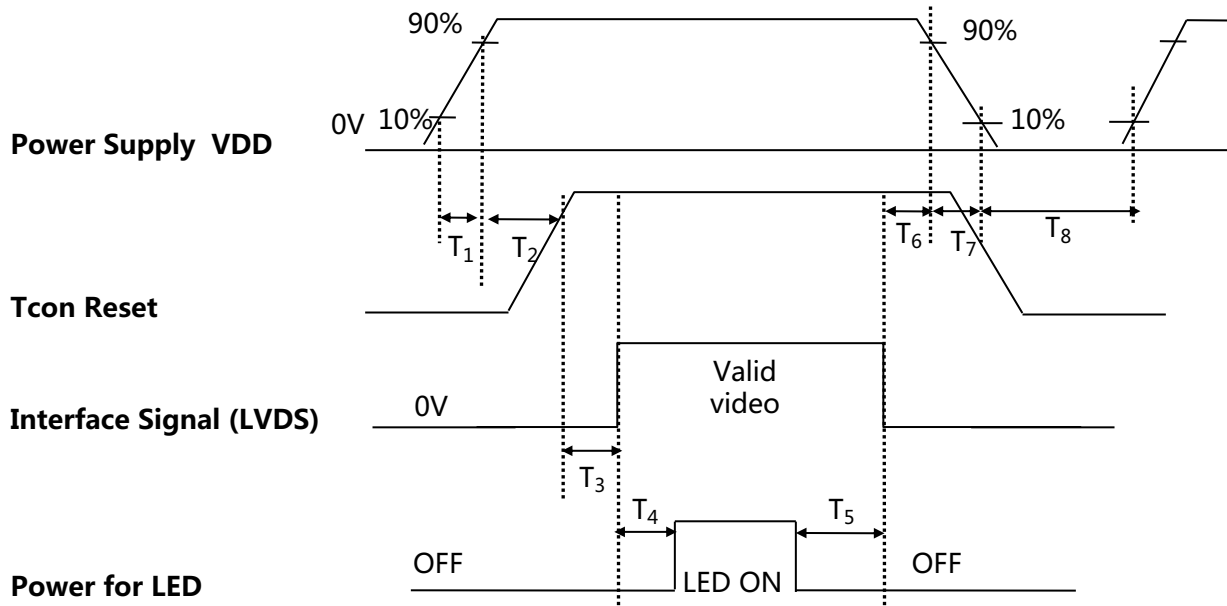
< Table9. Timing Parameter >

Item		Symbol	Min.	Typ.	Max.	Unit	
LCD	Frame Rate	-	59	60	61	Hz	
	Pixels Rate	-	69.922	71	72.293	MHz	
Timing	Horizontal	Horizontal total time	tHP	-	1440	-	t _{CLK}
		Horizontal Active time	tHadr	1280			t _{CLK}
		Horizontal Back Porch	tHBP		80		t _{CLK}
		Horizontal Front Porch	tHFP		48		t _{CLK}
	Vertical	Vertical total time	tvp		823		t _H
		Vertical Active time	tVadr	800			t _H
		Vertical Back Porch	tVBP		14		t _H
		Vertical Front Porch	tVFP		3		t _H
Lane			-	1	-	Lane	



3.7 Power Sequence

[Ta =25±2 °C]



< Table 10. Sequence Table >

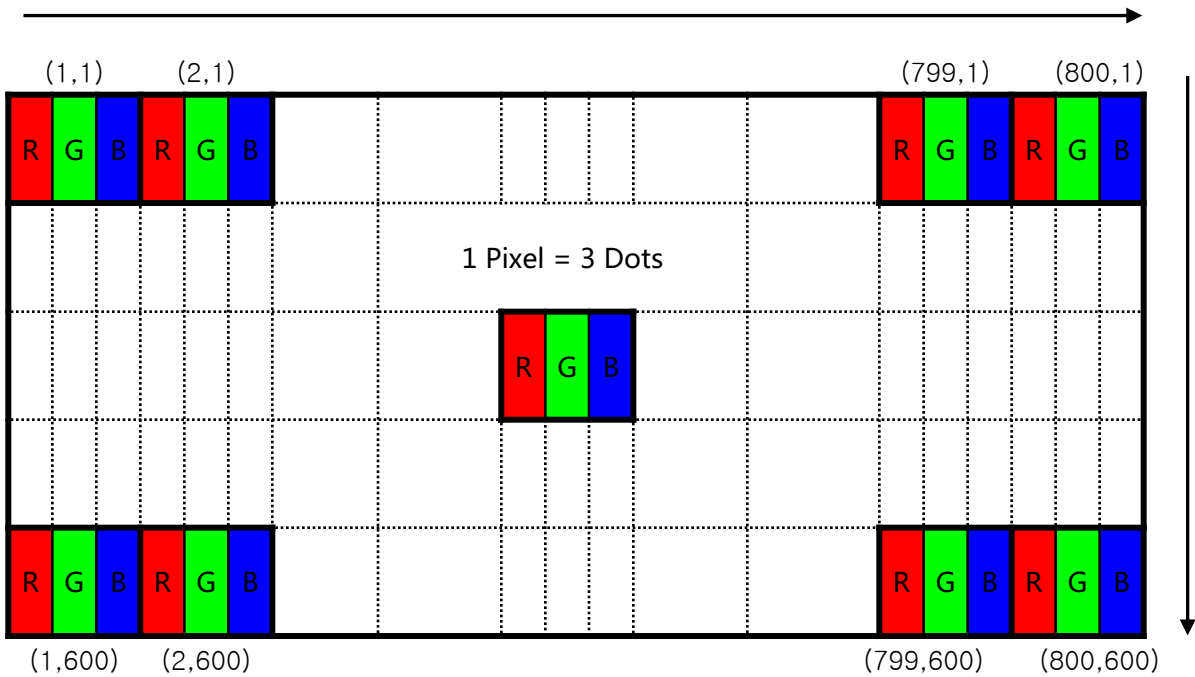
Parameter	Value			Units
	Min.	Typ.	Max.	
T1	0.1	-	8	(ms)
T2	-	8	-	(ms)
T3	0	-	-	(ms)
T4	300	-	-	(ms)
T5	300	-	-	(ms)
T6	0	-	50	(ms)
T7	0	-	10	(ms)
T8	500	-	-	(ms)

3.8 Input Color Data Mapping

< Table11. Input Signal and Display Color Table >

Color & Gray Scale		Input Data Signal																							
		Red Data								Green Data				Blue Data											
		R7	R6	R5	R4	R3	R2	R1	R0	G7	G6	G5	G4	G3	G2	G1	G0	B7	B6	B5	B4	B3	B2	B1	B0
Basic Colors	Black	0	0	0	0	0	0	0	0	0	0	0	0	0	0	0	0	0	0	0	0	0	0	0	
	Blue	0	0	0	0	0	0	0	0	0	0	0	0	0	0	0	0	1	1	1	1	1	1	1	1
	Green	0	0	0	0	0	0	0	0	1	1	1	1	1	1	1	1	0	0	0	0	0	0	0	0
	Cyan	0	0	0	0	0	0	0	0	1	1	1	1	1	1	1	1	1	1	1	1	1	1	1	1
	Red	1	1	1	1	1	1	1	1	0	0	0	0	0	0	0	0	0	0	0	0	0	0	0	0
	Magenta	1	1	1	1	1	1	1	1	0	0	0	0	0	0	0	0	1	1	1	1	1	1	1	1
	Yellow	1	1	1	1	1	1	1	1	1	1	1	1	1	1	1	1	0	0	0	0	0	0	0	0
	White	1	1	1	1	1	1	1	1	1	1	1	1	1	1	1	1	1	1	1	1	1	1	1	1
Gray Scale of Red	Black	0	0	0	0	0	0	0	0	0	0	0	0	0	0	0	0	0	0	0	0	0	0	0	
	△	0	0	0	0	0	0	0	1	0	0	0	0	0	0	0	0	0	0	0	0	0	0	0	
	Darker	0	0	0	0	0	0	1	0	0	0	0	0	0	0	0	0	0	0	0	0	0	0	0	
	△	↑								↑				↑											
	▽	↓								↓				↓											
	Brighter	1	1	1	1	1	1	0	1	0	0	0	0	0	0	0	0	0	0	0	0	0	0	0	0
	▽	1	1	1	1	1	1	1	0	0	0	0	0	0	0	0	0	0	0	0	0	0	0	0	0
	Red	1	1	1	1	1	1	1	1	0	0	0	0	0	0	0	0	0	0	0	0	0	0	0	0
Gray Scale of Green	Black	0	0	0	0	0	0	0	0	0	0	0	0	0	0	0	0	0	0	0	0	0	0	0	
	△	0	0	0	0	0	0	0	0	0	0	0	0	0	0	0	1	0	0	0	0	0	0	0	
	Darker	0	0	0	0	0	0	0	0	0	0	0	0	0	0	1	0	0	0	0	0	0	0	0	
	△	↑								↑				↑											
	▽	↓								↓				↓											
	Brighter	0	0	0	0	0	0	0	0	1	1	1	1	1	1	0	1	0	0	0	0	0	0	0	0
	▽	0	0	0	0	0	0	0	0	1	1	1	1	1	1	1	0	0	0	0	0	0	0	0	0
	Green	0	0	0	0	0	0	0	0	1	1	1	1	1	1	1	1	0	0	0	0	0	0	0	0
Gray Scale of Blue	Black	0	0	0	0	0	0	0	0	0	0	0	0	0	0	0	0	0	0	0	0	0	0	0	
	△	0	0	0	0	0	0	0	0	0	0	0	0	0	0	0	0	0	0	0	0	0	0	1	
	Darker	0	0	0	0	0	0	0	0	0	0	0	0	0	0	0	0	0	0	0	0	0	0	1	0
	△	↑								↑				↑											
	▽	↓								↓				↓											
	Brighter	0	0	0	0	0	0	0	0	0	0	0	0	0	0	0	0	1	1	1	1	1	1	0	1
	▽	0	0	0	0	0	0	0	0	0	0	0	0	0	0	0	0	1	1	1	1	1	1	1	0
	Blue	0	0	0	0	0	0	0	0	0	0	0	0	0	0	0	0	1	1	1	1	1	1	1	1
Gray Scale of White	Black	0	0	0	0	0	0	0	0	0	0	0	0	0	0	0	0	0	0	0	0	0	0	0	
	△	0	0	0	0	0	0	0	1	0	0	0	0	0	0	0	1	0	0	0	0	0	0	1	
	Darker	0	0	0	0	0	0	1	0	0	0	0	0	0	0	1	0	0	0	0	0	0	0	1	0
	△	↑								↑				↑											
	▽	↓								↓				↓											
	Brighter	1	1	1	1	1	1	0	1	1	1	1	1	1	0	1	1	1	1	1	1	1	0	1	1
	▽	1	1	1	1	1	1	1	0	1	1	1	1	1	1	1	0	1	1	1	1	1	1	1	0
	White	1	1	1	1	1	1	1	1	1	1	1	1	1	1	1	1	1	1	1	1	1	1	1	1

3.9 Input Color Data Mapping



Display Position of Input Data (V-H)

PRODUCT GROUP		REV	ISSUE DATE	BOE
TFT- LCD PRODUCT		P0	2020-04-30	
SPEC. NUMBER	SPEC. TITLE			PAGE
S8-*	B3 EV101WXM-N10 Product Specification			18 OF 34

4.0 OPTICAL SPECIFICATIONS

4.1 Overview

The test of optical specifications shall be measured in a dark room (ambient luminance ≤ 1 lux and temperature = $25 \pm 2^\circ\text{C}$) with the equipment of Luminance meter system (Gonio meter system and TOPCON BM-5) and test unit shall be located at an approximate distance 50cm from the LCD surface at a viewing angle of θ and Φ equal to 0° . We refer to $\theta\Phi=0$ ($=\theta3$) as the 3 o' clock direction (the "right"), $\theta\Phi=90$ ($=\theta12$) as the 12 O' clock direction ("upward"), $\theta\Phi=180$ ($=\theta9$) as the 9 O' clock direction ("left") and $\theta\Phi=270$ ($=\theta6$) as the 6 O' clock direction ("bottom"). While scanning θ and/or Φ , the center of the measuring spot on the Display surface shall stay fixed.

4.2 Optical Specifications

< Table11. Optical Table >

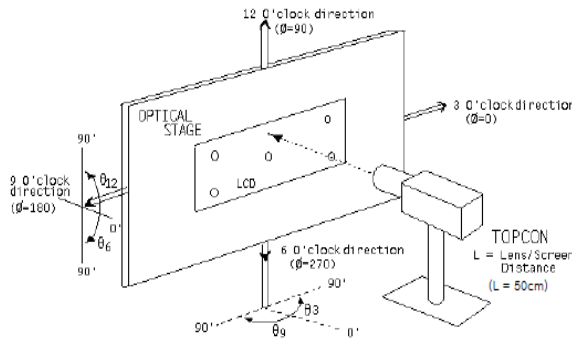
Item	Symbol	Condition	Min	Typ.	Max	Unit	Note
luminance	Bp	$\theta=0^\circ$	350	400	--	cd/m ²	Note 1
Brightness Uniformity	ΔBp		75	80	--	%	Note 2
Viewing Angle	θ_L	Cr ≥ 10	80	85	--	deg	Note 3
	θ_R		80	85	--		
	ψ_T		80	85	--		
	ψ_B		80	85	--		
Contrast Ratio	Cr	$\theta=0^\circ$	700	900	-	-	Note 4
Response Time	Tr+Tf	FF=0°	-	30	35	ms	Note 5
Color Coordinate of CIE1931	Rx	$\theta=0^\circ$	0.557	0.587	0.617	-	Note 6
	Ry		0.318	0.348	0.378		
	Gx		0.308	0.338	0.368		
	Gy		0.541	0.571	0.601		
	Bx		0.132	0.162	0.192		
	By		0.082	0.112	0.142		
	Wx		0.283	0.313	0.343		
	Wy		0.299	0.329	0.359		
NTSC Ratio	NTSC	CIE1931	45	50	--	%	Note 7
Polarization Direction of Front Polarizer	PdF		-	0°	-	deg	Note 8
Polarization Direction of Rear Polarizer	PdR		-	90°	-	Deg	
Gray inversion angle			-	7点钟	-		Note 9

PRODUCT GROUP		REV	ISSUE DATE	BOE
TFT- LCD PRODUCT		P0	2020-04-30	
SPEC. NUMBER	SPEC. TITLE			PAGE
S8-*	B3 EV101WXM-N10 Product Specification			19 OF 34

Note1:Luminance measurement

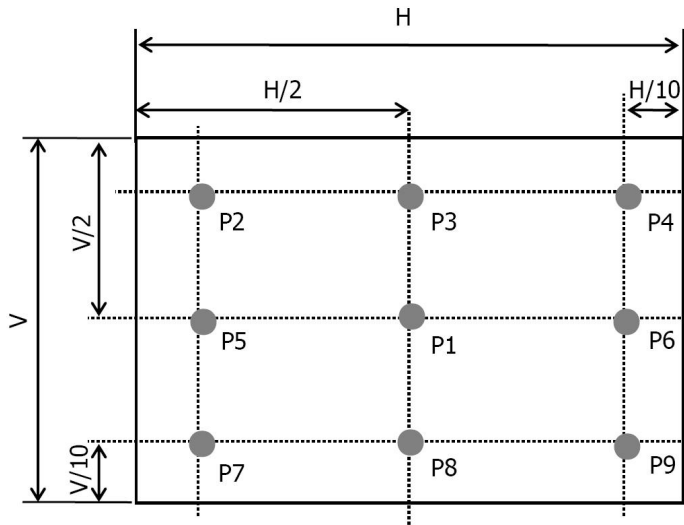
The test condition is at ILED=100mA and measured on the surface of LCD module at 25°C.

- The data are measured after LEDs are lighted on for more than 5 minutes and LCM displays are fully white. The brightness is the center of the LCD. Measurement equipment CS2000 or similar equipments (Field of view:1deg,Distance:50cm)
- Measuring surroundings: Dark room.
- Measuring temperature: Ta=25°C.
- Adjust operating voltage to get optimum contrast at the center of the display.
- Measured value at the center point of LCD panel must be after more than 5 minutes while backlight turning on.



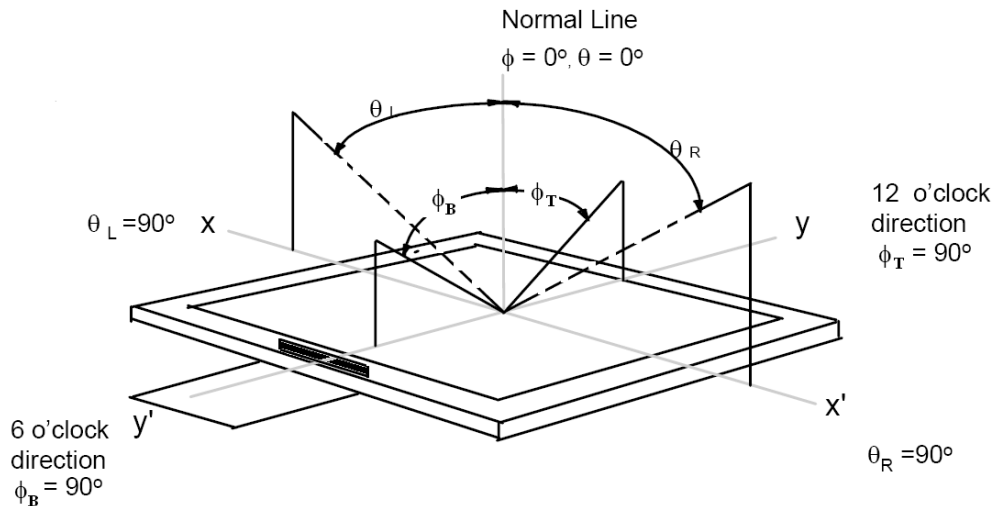
Note2:Uniformity

- The test condition is at ILED=80mA and measured on the surface of LCD module at 25°C.
- Measurement equipment:CS2000 or similar equipments
- The luminance uniformity is calculated by using following formula:
- $\Delta Bp = Bp (\text{Min.}) / Bp (\text{Max.}) \times 100 (\%)$
- $Bp (\text{Max.}) = \text{Maximum brightness in 9 measured spots}$
- $Bp (\text{Min.}) = \text{Minimum brightness in 9 measured spots.}$



Note 3: The definition of Viewing Angle

Refer to the graph below marked by θ and ϕ .



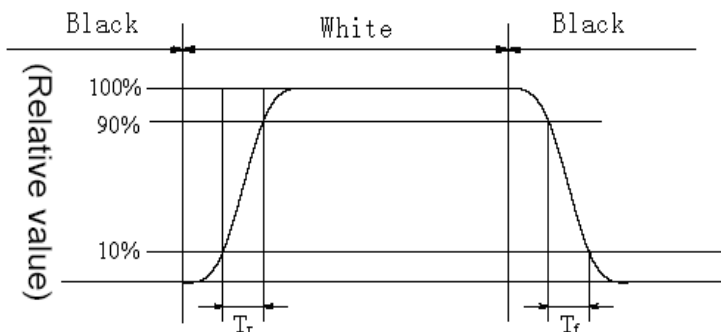
Note 4: The definition of Contrast Ratio (Test LCM using CS2000 or similar equipments):

$$\text{Contrast Ratio (CR)} = \frac{\text{Luminance When LCD is at "White" state}}{\text{Luminance When LCD is at "Black" state}}$$

(Contrast Ratio is measured in optimum common electrode voltage)

Note 5: Definition of Response time. (Test LCD using DMS501 or similar equipments):

The output sign also photo detector are measured when the input sign also are changed from "black" to "white" (Voltage falling time) and from "white" to "black" (Voltage rising time), respectively. The response time is defined as the time interval between the 10% and 90% of amplitudes. Refer to figures below.



	L0	L1	L2	L3	L4	L5	L6	L7
L0	Black							
L1		Black						
L2			Black					
L3				Black				
L4					Black			
L5						Black		
L6							Black	
L7								Black

Response time of gray to gray:

Measurement equipment: DMS501 or similar equipments.

Test method: we define 8 grays L0-L7, the grays of L0-L7 were defined as: 0, 36, 73, 109, 146, 182, 219, 255. The output signals of photodetector are measured when the input signals are rechanged from "Lx" to "Ly", $x, y = [0, 7]$. The response time is defined as the time interval between the 10% and 90% of amplitudes. The result of the test can be noted as below:

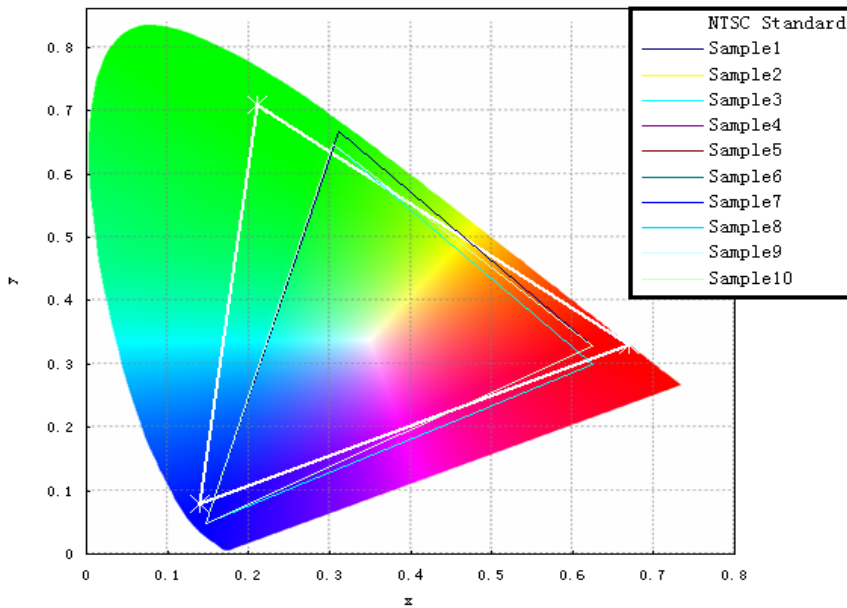
PRODUCT GROUP		REV	ISSUE DATE	BOE
TFT- LCD PRODUCT		P0	2020-04-30	
SPEC. NUMBER	SPEC. TITLE			PAGE
S8-*	B3 EV101WXM-N10 Product Specification			21 OF 34

Note 6: Color Coordinates of CIE 1931

The test condition is at ILED=100mA and measured on the surface of LCD module at 25°C.
 Measurement equipment:CS2000 or similar equipments
 The Color Coordinate (CIE 1931) is the measurement of the center of the display shown in below figure.

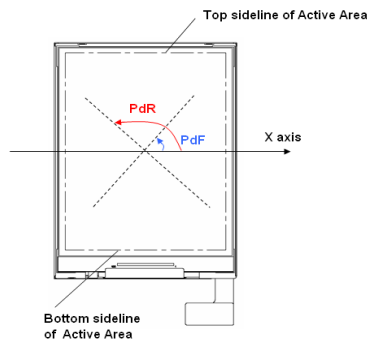
Note 7: Definition of Color of CIE Coordinate and NTSC Ratio.

$$S = \frac{\text{area of RGB triangle}}{\text{area of NTSC triangle}} \times 100\%$$



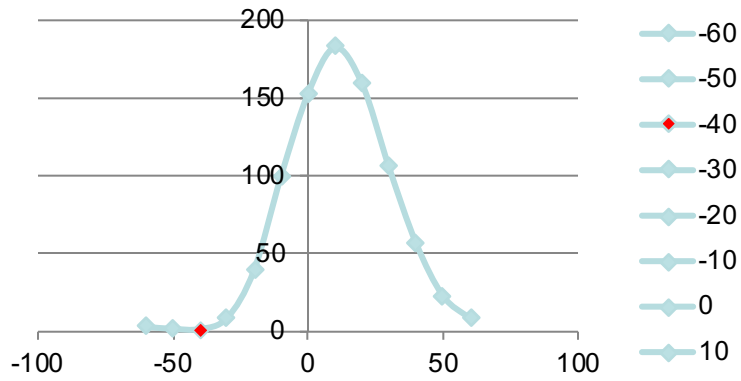
Note 8: Polarization Direction Definition

- Viewing direction is normal user viewing direction which is vertical to the display surface
- The polarizer which is closer to viewer is defined as Front Polarizer
- The polarizer which is on the rear side of viewer is defined as Rear Polarizer
- The X axis is defined as parallel line to top & bottom sidelines of the Active Area
- PdF which is marked in blue arrow is polarization degree of Front polarizer
- PdR which is marked in red arrow is polarization degree of Back polarizer
- The polarization degree parameter must be indicated in range of 0deg to 180deg according to above definition



Note 9: Definition of gray inversion angle

- Refer to the graph of note 9.
- Using luminance test method.
- Test pattern : 128 gray
- If the viewing direction is 12 o' clock ,then test the luminance while $\theta = -60^\circ, \theta = -50^\circ, \theta = -40^\circ, \theta = -30^\circ, \theta = -20^\circ, \theta = -10^\circ, \theta = 0^\circ, \theta = 10^\circ, \theta = 20^\circ, \theta = 30^\circ, \theta = 40^\circ, \theta = -50^\circ, \theta = 60^\circ$. The luminance test as figure below:



5.0 RELIABILITY TEST

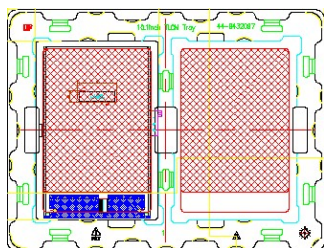
The Reliability test items and its conditions are shown in below.

<Table 12. Reliability Test Parameters >

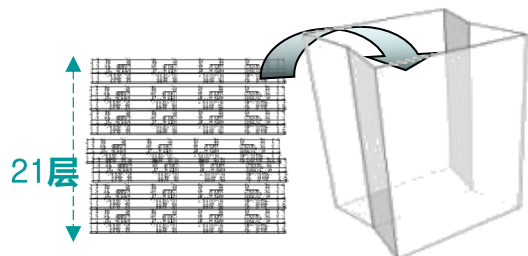
No	Test Items	Conditions
1	High temperature & high humidity (storage test)	60°C , 90%RH , 240hr
2	High temperature storage test	70°C , 240hr
3	Low temperature storage test	-30°C , 240hr
4	High temperature & high humidity (operation test)	60°C , 90%RH , 240hr
5	Low temperature operation test	-20°C , 240hr
6	High temperature operation test	70°C , 240hr
7	Thermal Shock Test	-40°C~85°C , 1hr/cycle , 100cycle
8	PCT	121°C , 100%RH , 2atm , 12hr
9	ESD	150pF , 330Ω , ±15kV(Air) , ±8kV (Contact)
10	Packing VIB	1.47G , 1-200hz , X , Y , ±Z , 30min/Axis

6.0 PACKING INFORMATION(产品形态 : LCM)

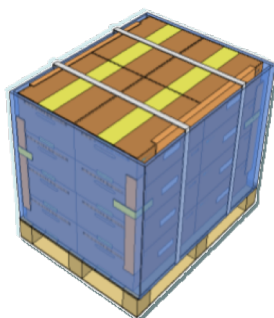
Packing procedure:



- Put 2pcs Panel on Tray
- put 1epe spacer upon the panel



- Put 21pcs Tray in PE Bag
- The Top Tray is Empty
- 40pcs LCM/Box



- 3layers/ Pallet
- 4 boxes/ Layer
- 480pcs Panel / Pallet

6.1 Packing Note(产品形态 : LCM)

- Box Dimension: 500mm(W) x 400mm(D) x 300mm(H)
- Package Quantity in one Box: 40pcs

PRODUCT GROUP		REV	ISSUE DATE	BOE
TFT- LCD PRODUCT		P0	2020-04-30	
SPEC. NUMBER	SPEC. TITLE			PAGE
S8-*	B3 EV101WXM-N10 Product Specification			25 OF 34

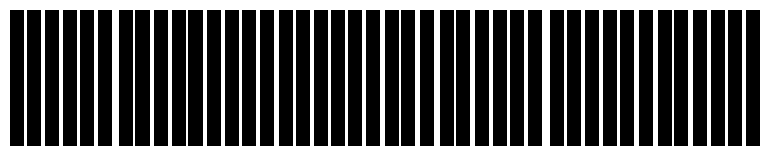
6.2 Box label (产品形态 : LCM)

- Label Size :110mm*55mm
- Contents
 - Model : LCM
 - Q`ty : 40pcs/Box
 - Serial No. : Box Serial No. as shown below.
 - Date : Packing Date
 - FG Code : FG Code of Product


BOE BOE Technology Group Co., Ltd.

MODEL: EV101WXM-N10 ① QTY: 40 ②

SERIAL NO: XXXXXXXXXXXXX ③ DATE: 20XX / XX/ XX ④



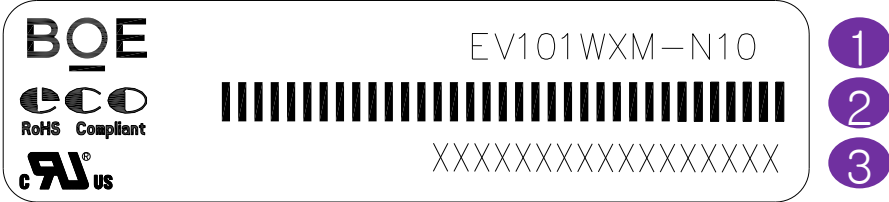
3850 ⑤



序列号	1	2	3	4	5	6	7	8	9	10	11	12	13
代码	X	X	X	3	X	X	X	X	X	X	X	X	X
描述	GBN代码		等级	B3	年份		月	Re v	序列号				

PRODUCT GROUP		REV	ISSUE DATE	BOE
TFT- LCD PRODUCT		P0	2020-04-30	
SPEC. NUMBER	SPEC. TITLE			PAGE
S8-*	B3 EV101WXM-N10 Product Specification			26 OF 34

7.0 Product Label



Label Size: 48mmx12mmx0.08mm,
 1. Customer Code
 2. MDL ID bar code
 3. MDL ID

BOE MDL ID rule

序列号	1	2	3	4	5	6	7	8	9	10	11	12	13	14	15	16	17
代码	X	X	X	3	X	X	X	3	8	5	0	X	X	X	X	X	X
描述	GBN代码		等级	B3	年	月	日	FG Code后四位				序列号					

PRODUCT GROUP		REV	ISSUE DATE	BOE
TFT- LCD PRODUCT		P0	2020-04-30	
SPEC. NUMBER	SPEC. TITLE			PAGE
S8-*	B3 EV101WXM-N10 Product Specification			27 OF 34

8.0 Handling & Cautions

Please pay attention to the followings when you use this TFT LCD Module.

8.1 Mounting Precautions

- Use finger-stalls with soft gloves in order to keep display clean during the incoming inspection and assembly process.
 - You must mount a module using specified mounting holes (Details refer to the drawings).
 - You should consider the mounting structure so that uneven force (ex. Twisted stress, Concentrated stress) is not applied to the module. And the case on which a module is mounted should have sufficient strength so that external force is not transmitted directly to the module.
 - Do not apply mechanical stress or static pressure on module; Abnormal display cause by pressing some parts of module during assembly process, do not belong to product failure, the press should be agreed by two sides.
 - Determine the optimum mounting angle, refer to the viewing angle range in the specification for each model.
 - Do not apply mechanical stress or static pressure on module, and avoid impact, vibration and falling.
 - Acetic acid type and chlorine type materials for the cover case are not desirable because the former generates corrosive gas of attacking the polarizer at high temperature and the latter causes circuit break by electro-chemical reaction.
 - Protection film for polarizer on the module should be slowly peeled off before display.
 - Be careful to prevent water & chemicals contact the module surface.
 - You should adopt radiation structure to satisfy the temperature specification.
 - Do not touch, push or rub the exposed polarizers with glass, tweezers or anything harder than HB pencil lead. And please do not rub with dust clothes with chemical treatment.
- Do not touch the surface of polarizer for bare hand or greasy cloth. (Some cosmetics are detrimental to the polarizer.)

PRODUCT GROUP		REV	ISSUE DATE	BOE
TFT- LCD PRODUCT		P0	2020-04-30	
SPEC. NUMBER	SPEC. TITLE			PAGE
S8-*	B3 EV101WXM-N10 Product Specification			28 OF 34

- When the surface becomes dusty, please wipe gently with absorbent cotton or other soft materials like chamois soaks with petroleum benzine. Normal-hexane & alcohol is recommended for cleaning the adhesives used to attach front / rear polarizers. Do not use acetone, toluene , because they cause chemical damage to the polarizer.
- Wipe off saliva or water drops as soon as possible. Their long time contact with polarizer causes deformations and color fading.
- This module has its circuitry PCB' s on the rear side and Driver IC, should be handled carefully in order not to be stressed.
- Avoid impose stress on PCB and Driver IC during assembly process ,Do not drawing, bending, COF package & wire.
- Do not disassemble the module.

8.2 Operating Precautions

- Do not connector or disconnect the cable to/from the Module at the "Power On" Condition.
- When the module is operating, do not lose CLK, ENAB signals. If any one of these signals is lost, the module would be damaged.
- Obey the supply voltage sequence. If wrong sequence is applied, the module would be damaged.
- Do not allow to adjust the adjustable resistance or switch.
- The electrochemical reaction caused by DC voltage will lead to LCD module degradation, so DC drive should be avoided.
- The LCD modules use C-MOS LSI drivers, so customers are recommended that any unused input terminal would be connected to Vdd or Vss, do not input any signals before power is turn on, and ground you body, work/assembly area, assembly equipment to protect against static electricity.
- Do not exceed the absolute maximum rating value. (supply voltage variation, input voltage variation, variation in part contents and environmental temperature, and so on) Otherwise the Module may be damaged.
- Module has high frequency circuits. Sufficient suppression to the electromagnetic interference shall be done by system manufacturers. Grounding and shielding methods may be important to minimized the interference.

PRODUCT GROUP		REV	ISSUE DATE	BOE
TFT- LCD PRODUCT		P0	2020-04-30	
SPEC. NUMBER	SPEC. TITLE			PAGE
S8-*	B3 EV101WXM-N10 Product Specification			29 OF 34

- The cables should be as short as possible between System Board and PCB interface.
- Connectors are precision devices to transmit electrical signals, and operators should plug in parallel.
- Be careful for condensation at sudden temperature change. Condensation makes damage to polarizer or electrical contacted parts. And after fading condensation, smear or spot will occur.

8.3 Electrostatic Discharge Precautions

- Avoid the use work clothing made of synthetic fibers. We recommend cotton clothing or other conductivity-treated fibers.
- Since a module is composed of electronic circuits, it is not strong to electrostatic discharge. Make certain that treatment persons are connected to ground through wrist band etc.
- Do not close to static electricity to avoid product damage.
- Do not touch interface pin directly.

8.4 Precautions for Strong Light Exposure

- Do not leave the module operation or storage in Strong light . Strong light exposure causes degradation of polarizer and color filter.

8.5 Precautions for Storage

A. Atmosphere Requirement

ITEM	UNIT	MIN	MAX
Storage Temperature	(°C)	5	40
Storage Humidity	(%rH)	40	75
Storage Life	6 months		
Storage Condition	<ul style="list-style-type: none"> The storage room should be equipped with a dark and good ventilation facility. Prevent products from being exposed to the direct sunlight, moisture and water. The product need to keep away from organic solvent and corrosive gas. Be careful for condensation at sudden temperature change. Storage condition is guaranteed under packing conditions. 		

B. Package Requirement

- The product should be placed in a sealed polythene bag.
- Product Should be placed on the pallet, Which is away from the floor, Be cautions not to pile the product up.
- The polarizer surface should not come in contact with any other object. It is recommended that they be stored in the container in which they were shipped.
- As the original protective film, do not use the adhesive protective film to avoid change of Pol color and characteristic.

8.6 Precautions for protection film

- Remove the protective film slowly, keeping the removing direction approximate 30-degree not vertical from panel surface, If possible, under ESD control device like ion blower, and the humidity of working room should be kept over 50%RH to reduce the risk of static charge.
- People who peeled off the protection film should wear anti-static strap and grounded well.

PRODUCT GROUP		REV	ISSUE DATE	BOE
TFT- LCD PRODUCT		P0	2020-04-30	
SPEC. NUMBER	SPEC. TITLE			PAGE
S8-*	B3 EV101WXM-N10 Product Specification			31 OF 34

8.7 Appropriate Condition for Commercial Display

-Generally large-sized LCD modules are designed for consumer applications . Accordingly, long-term display like in Commercial Display application, can cause uneven display including image sticking. To optimize module's lifetime and function, several operating usages are required.

1. Normal operating condition

- Temperature: 20±15°C
- Operating Ambient Humidity : 55±20%
- Display pattern: dynamic pattern (Real display)
- Well-ventilated place is recommended to set up Commercial Display system

2. Special operating condition

a. Ambient condition

- Well-ventilated place is recommended to set up Commercial Display system.

b. Power and screen save

- Periodical power-off or screen save is needed after long-term display.

c. As the low temperature, the response time is greatly delayed. As the high temperatures (higher than the operating temperature) the LCD module may turn black screen. The above phenomenon cannot explain the failure of the display. When the temperature returns to the normal operating temperature, the LCD module will return to normal display.

d. When expose to drastic fluctuation of temperature (hot to cold or cold to hot) ,the LCD module may be affected; Specifically, drastic temperature fluctuation from cold to hot ,produces dew on the LCD module 's surface which may affect the operation of the polarizer and LCD module .

e. Do not exceed the absolute maximum rating value. (supply voltage variation, input v oltage variation, variation in part contents and environmental temperature, and so on) Otherwise the Module may be damaged.

f. Product reliability and functions are only guaranteed when the product is used under right operation usages. If product will be used in extreme conditions such as high temperature, high humidity, high altitude, special display images, running time, long time operation, outdoor operation, etc. It is strongly recommended to contact BOE for filed application engineering advice. Otherwise, its reliability and function may not be guaranteed. Extreme conditions are commonly found at airports, transit stations, banks, stock market and controlling systems.

PRODUCT GROUP		REV	ISSUE DATE	BOE
TFT- LCD PRODUCT		P0	2020-04-30	
SPEC. NUMBER	SPEC. TITLE			PAGE
S8-*	B3 EV101WXM-N10 Product Specification			32 OF 34

3. Operating usages to protect against image sticking due to long-term static display.
 - a. Suitable operating time: under 20 hours a day.
 - b. Static information display recommended to use with moving image.
 - Cycling display between 5 minutes' information(static) display and 10 seconds' moving image.
 - c. Background and character (image) color change
 - Use different colors for background and character, respectively.
 - Change colors themselves periodically.
 - d. Avoid combination of background and character with large different luminance.
 - 1) Abnormal condition just means conditions except normal condition.
 - 2) Black image or moving image is strongly recommended as a screen save
4. Lifetime in this spec. is guaranteed only when Commercial Display is used according to operating usages.

8.8 Other Precautions

A. LC Leak

- If the liquid crystal material leaks from the panel, it is recommended to wash the LC with acetone or ethanol and then burn it.
- If the liquid crystal material leaks from the panel, it should be kept away from the eyes or mouth. In case of contact with hands, skin or clothes, it has to be washed away thoroughly with soap.
- If LC in mouth, mouth need to be washed, drink plenty of water to induce vomiting and follow medical advice.
- If LC touch eyes, eyes need to be washed with running water at least 15 minutes.

B. Rework

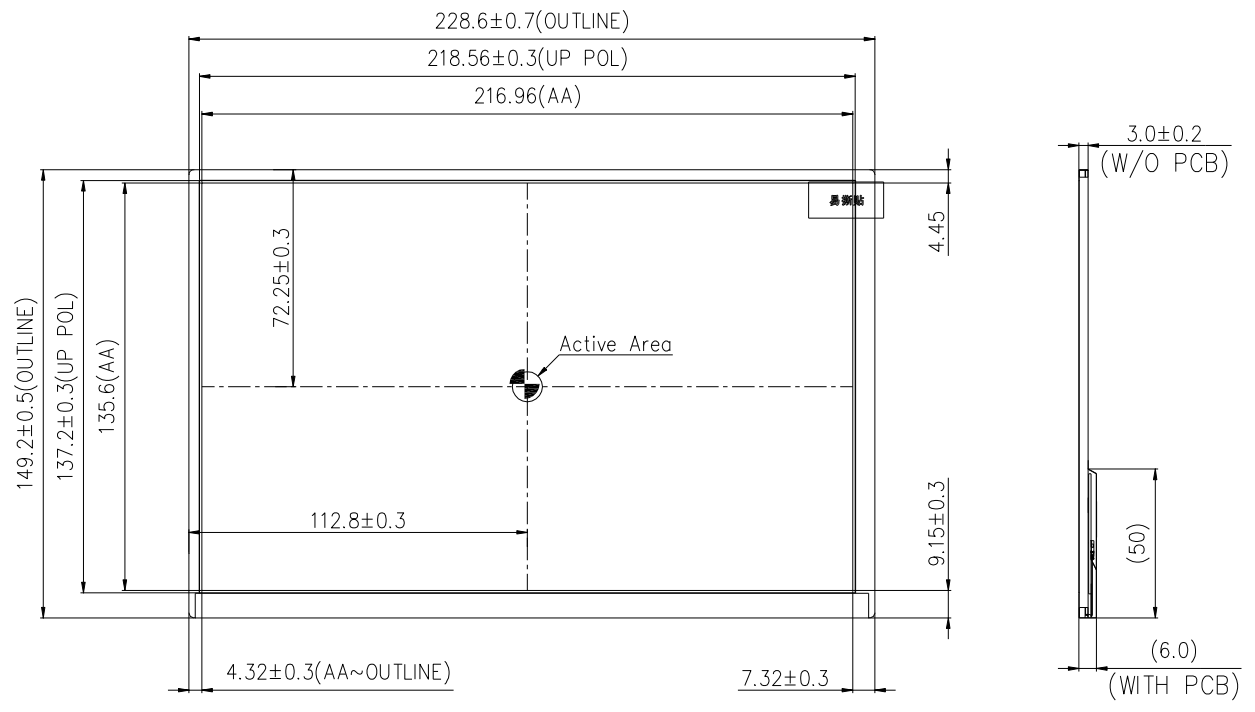
- When returning the module for repair or etc., Please pack the module not to be broken. We recommend to use the original shipping packages.

PRODUCT GROUP		REV	ISSUE DATE	BOE
TFT- LCD PRODUCT		P0	2020-04-30	
SPEC. NUMBER	SPEC. TITLE			PAGE
S8-*	B3 EV101WXM-N10 Product Specification			33 OF 34

9.0 APPENDIX

Mechanical Drawing

Drawing Attachment: Landscape Front View



PRODUCT GROUP

REV

ISSUE DATE

BOE

TFT- LCD PRODUCT

P0

2020-04-30

SPEC. NUMBER

SPEC. TITLE

PAGE

S8-*

B3 EV101WXM-N10 Product Specification

34 OF 34

Mechanical Drawing

Drawing Attachment: Landscape Back View

